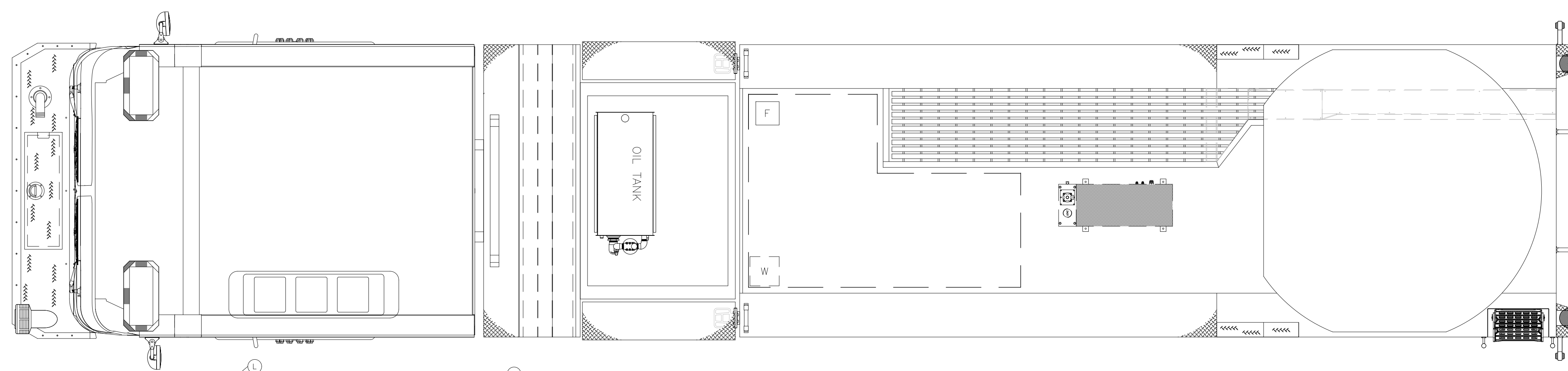
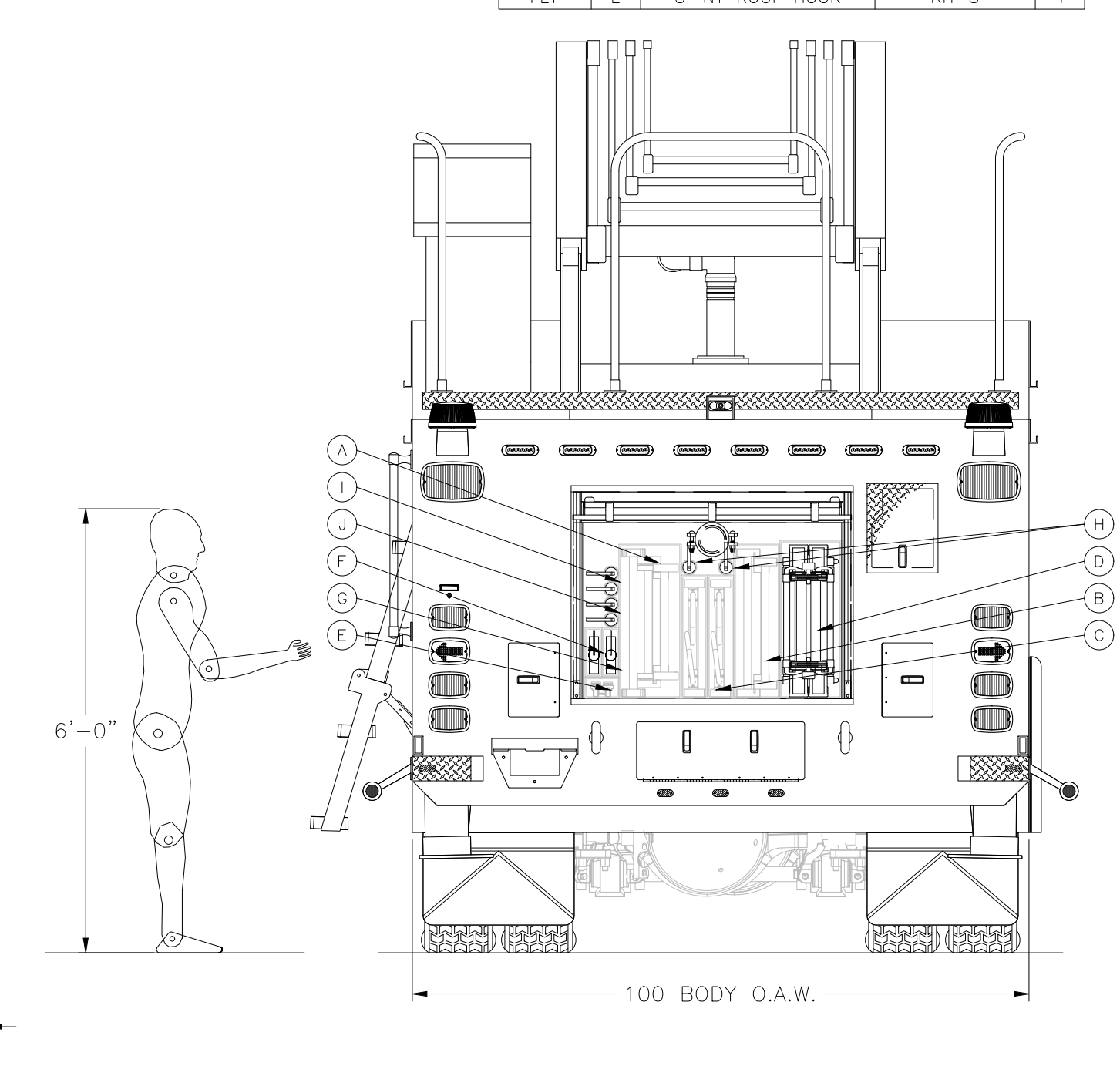
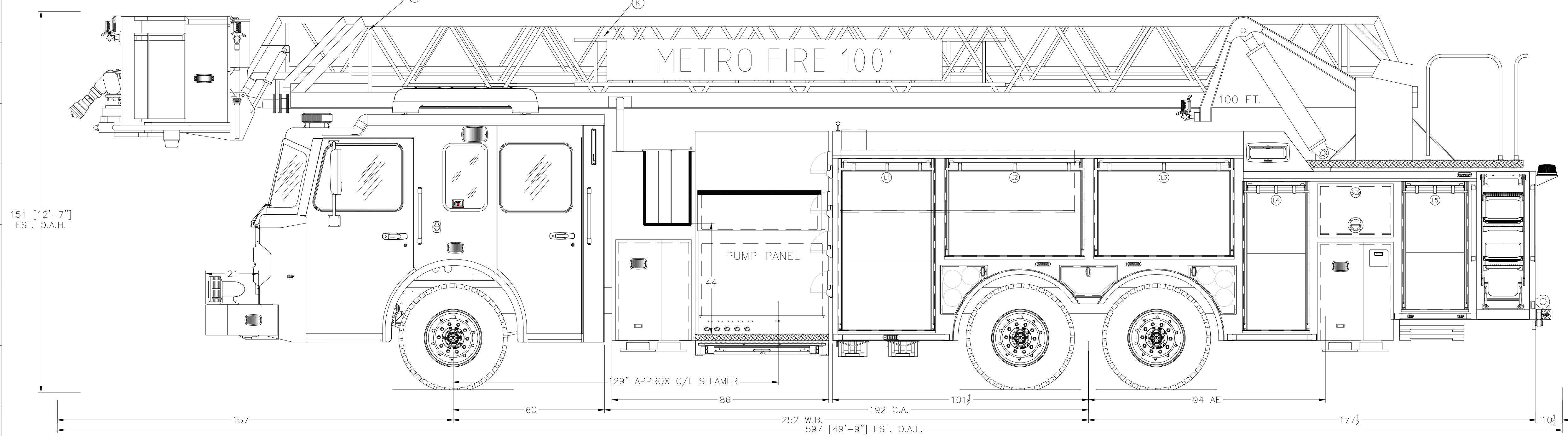


COMPARTMENT DIMENSIONS					
COMPT.	DOOR OPENING	INTERIOR	DIVIDE HEIGHT	UPPER DEPTH	LOWER
L1	35"W x 62"H	40.5"W x 78.5"H	27"	14"	23"
L2	52"W x 33"H	59"W x 49"H	-	14"	14"
L3	52"W x 33"H	63"W x 49"H	-	14"	14"
L4	23"W x 53"H	30.5"W x 62.5"H	30"	14"	24"
L5	23"W x 45"H	34"W x 54"H	22"	14"	22"
R1	35"W x 62"H	40.5"W x 78.5"H	27"	14"	23"
R2	52"W x 33"H	59"W x 49"H	-	14"	14"
R3	52"W x 33"H	63"W x 49"H	-	14"	14"
R4	23"W x 53"H	30.5"W x 62.5"H	30"	14"	24"
R5	45"W x 45"H	52.5"W x 54"H	22"	14"	22"
SL2	28"W x 18"H	28"W x 24.5"H	-	13"	13"
SR2	28"W x 18"H	28"W x 24.5"H	-	13"	13"



GROUND LADDERS & PIKE POLES			
ITEM	DESCRIPTION	MODEL #	QTY.
A	35' 3 SEC. EXTENSION	1225-A	1
B	28' 2 SEC. EXTENSION	1200-A	1
C	16' ROOF	875-A	2
D	17' LITTLE GIANT	15187-882	1
E	10' FOLDING ATTIC	585-A	1
F	6' D-HANDLE PIKE POLE	YPDH-6A	1
G	8' D-HANDLE PIKE POLE	YPDH-8A	1
H	6' PIKE POLE	YPD-6A	2
I	8' PIKE POLE	YPD-8A	2
J	12' PIKE POLE	YPD-12	2
K	14' ROOF	PRL-14	1
L	8' NY ROOF HOOK	RH-8	1



**NOTE:**  
 THIS DRAWING IS THE PROPERTY OF SPARTAN FIRE, LLC AND IS TO BE USED ONLY IN REFERENCE TO THE WORK PROPOSED OR CONTRACTED BY SPARTAN FIRE, LLC ANY REPRODUCTION IN PART OR IN WHOLE WITHOUT THE WRITTEN PERMISSION OF SPARTAN FIRE, LLC IS STRICTLY PROHIBITED.  
 DIMENSIONS SHOWN ARE APPROXIMATE AND ARE SUBJECT TO CHANGE AS MAY BE FOUND NECESSARY DURING CONSTRUCTION. THIS DRAWING MUST BE PLOTTED TO THE PAPER SIZE LISTED IN THE TITLE BLOCK FOR THE LISTED SCALE TO BE VALID.  
 THIS DRAWING IS FOR REFERENCE PURPOSES ONLY. SOME ITEMS MAY OR MAY NOT APPEAR ON THE DRAWING THAT MAY OR MAY NOT BE INCLUDED IN THE SPECIFICATIONS. THE SPECIFICATIONS SHALL BE THE FINAL AUTHORITY TO DETERMINE WHAT IS SUPPLIED ON THE APPARATUS.

REV.	INT.	DATE	REVISION HISTORY DESCRIPTION
01	CL	1/24/18	ORIGINAL LAYOUT
02	CL	12/13/18	MAJOR BODY CHANGES, SMART STORAGE, SCENE LIGHTS
03	CL	6/1/20	MINOR UPDATES
04	CL	3/25/21	MINOR UPDATES

**PROPOSAL**

CHASSIS: SPARTAN GLADIATOR EMFD 5" RAISED ROOF  
 ENGINE: CUMMINS X15 565HP WITH ALLISON 4000 EVS  
 PUMP: WATEROUS CSUC20 2000 GPM  
 WATER TANK: 400 U.S. GAL  
 FOAM CELL: 20 U.S. GAL  
 BODY MATERIAL: 1/8" ALUMINUM  
 HOSE BEDS: 1000' OF 5" / 49 CUBIC FEET  
 GENERATOR: HARRISON 10KW MCR  
 COMPARTMENTS: 204 CUBIC FEET



METRO FIRE TEMPLATE HOUSTON, TX			
MODEL:	100' REAR MOUNT PLATFORM (S53RP-100)		
DEALERSHIP:	METRO FIRE APPARATUS SPECIALISTS		
SCALE:	1/2" = 1'	DRAWN BY:	CL
		DATE:	3/25/21
SIZE:	24" X 36"	DRAWING NO.:	19051
SHEET:	1 OF 1	REV.:	04